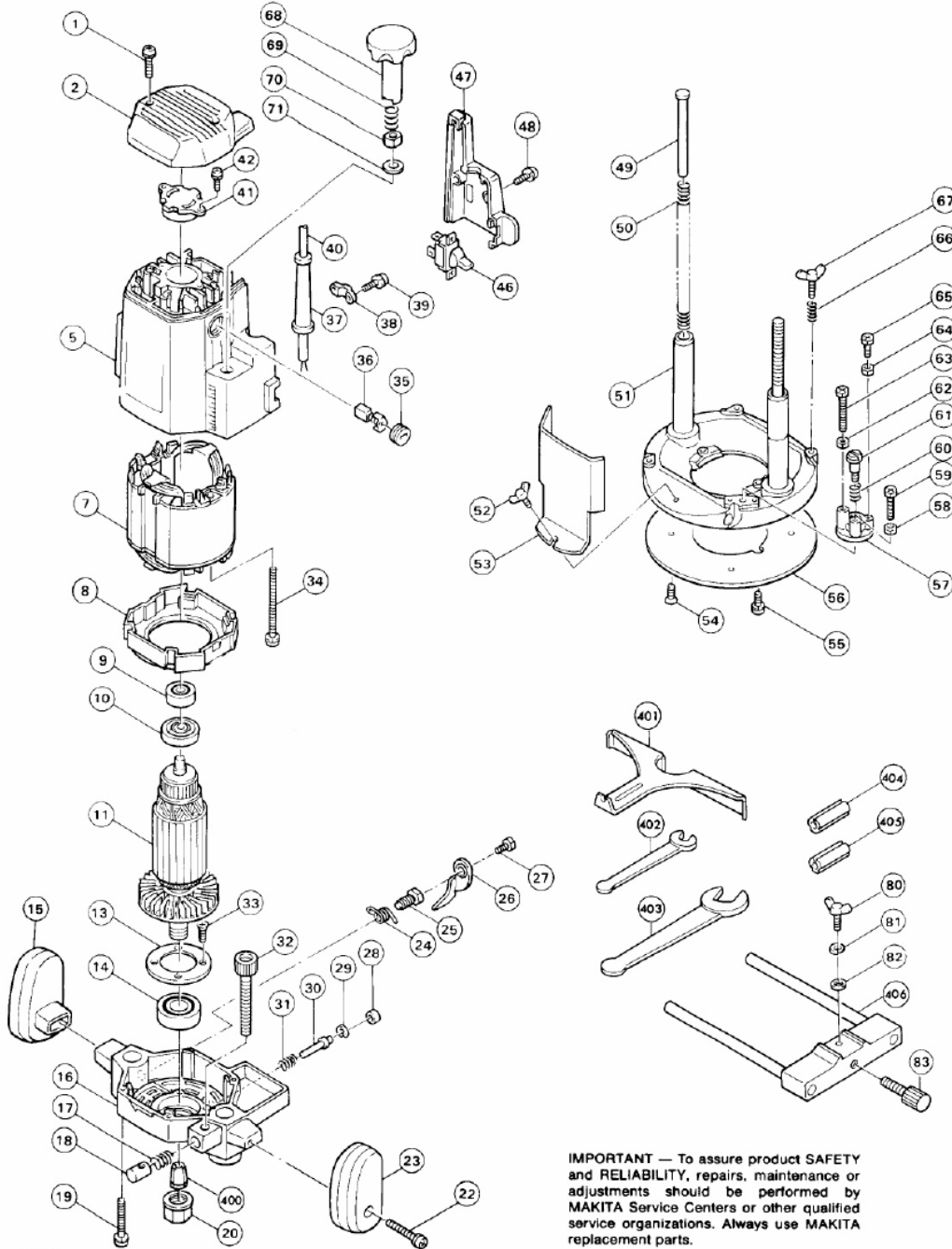




## ROUTER

## MODEL 3612



06-94

**IMPORTANT** — To assure product **SAFETY** and **RELIABILITY**, repairs, maintenance or adjustments should be performed by **MAKITA** Service Centers or other qualified service organizations. Always use **MAKITA** replacement parts.

Fig.	Part No.	Qty. Used	Description	Fig.	Part No.	Qty. Used	Description
1	266021-4	2	TAPPING SCREW PT5X20	48	265995-6	2	TAPPING SCREW 4X18
2	415450-0	1	REAR COVER	49	314062-5	1	POLE
5	159666-0	1	MOTOR HOUSING COMPLETE (INCL. 2 EA. BRUSH HOLDER 643705-5 & 1 EA. SUPPORT UNIT 632281-4)	50	231329-5	2	COMPRESSION SPRING 11
7	636051-3	1	FIELD 115V	51	151158-9	1	BASE COMPLETE
8	415069-5	1	BAFFLE PLATE	52	924206-5	1	WING BOLT M5X10
9	211092-6	1	BALL BEARING 629DDW	53	410128-0	1	CHIP DEFLECTOR
10	681633-6	1	INSULATION WASHER	54	912112-6	4	COUNTERSUNK HEAD SCREW M4X10
11	516566-5	1	ARMATURE ASS'Y 115V (INCL. FIG. 9, 10)	55	911206-4	2	PAN HEAD SCREW M5X10
13	285657-0	1	BEARING RETAINER 50	56	413024-1	1	BASE PLATE
14	211326-7	1	BALL BEARING 2012DDW	57	134205-1	1	STOPPER ASS'Y (INCL. FIG. 58, 59, 62-65)
15	415070-0	1	KNOB (L)	58	931202-6	1	HEX. NUT M5
16	150443-7	1	MOTOR BRACKET COMP.	59	265335-8	1	+ HEX. BOLT M5X28
17	231142-1	1	COMPRESSION SPRING 10	60	231231-2	1	COMPRESSION SPRING 12
18	323559-3	1	HALF NUT	61	251423-7	1	- FLAT HEAD SCREW M6
19	911263-2	1	PAN HEAD SCREW M5X40	62	931202-6	1	HEX. NUT M5
20	763629-0	1	COLLET NUT	63	265336-6	1	+ HEX. BOLT M5X40
22	911368-8	2	PAN HEAD SCREW M6X45	64	931202-6	1	HEX. NUT M5
23	415071-8	1	KNOB (R)	65	265333-2	1	+ HEX. BOLT M5X16
24	231618-8	1	TORSION SPRING 15	66	231240-1	2	COMPRESSION SPRING 7
25	266015-9	1	SET BOLT M10	67	924216-2	2	WING BOLT M5X15
26	344097-2	1	LOCK LEVER	68	271299-6	1	KNOB 50
27	265269-5	1	HEX. BOLT M5X12	69	231231-2	1	COMPRESSION SPRING 12
28	286235-9	1	CAP 11	70	252203-4	1	NUT M10-15
29	962062-5	1	RETAINING RING R-12	71	941251-5	1	FLAT WASHER 10
30	256606-4	1	PIN 6	80	924311-8	1	WING BOLT M6X12
31	231037-8	1	COMPRESSION SPRING 7	81	942151-2	1	SPRING WASHER 6
32	251861-3	1	SCREW M10X77	82	941151-9	1	FLAT WASHER 6
33	251295-0	4	FLAT HEAD SCREW M4X14	83	251830-4	1	SCREW M10X34
34	911944-8	2	PAN HEAD SCREW M5X80	<b>ACCESSORIES</b>			
35	643700-5	2	BRUSH HOLDER CAP 7-18	400	763622-4	1	COLLET CONE 1/2"
36	191953-5	1	CARBON BRUSH CB-203	401	342428-9	1	STRAIGHT GUIDE
37	682505-8	1	CORD GUARD 10-90	402	781213-9	1	WRENCH 8
38	687052-4	1	STRAIN RELIEF	403	781210-5	1	WRENCH 24
39	265995-6	2	TAPPING SCREW 4X18	404	763805-6	1	COLLET SLEEVE FOR 3/8" BIT
40	664463-0	1	POWER SUPPLY CORD (2X14X8;SJ)	405	763803-0	1	COLLET SLEEVE FOR 1/4" BIT
41	316499-2	1	BEARING BOX	406	132306-9	1	GUIDE HOLDER ASS'Y (INCL. FIG. 80-83)
42	265995-6	2	TAPPING SCREW 4X18				
46	651416-8	1	SWITCH				
47	415072-6	1	SWITCH COVER				

